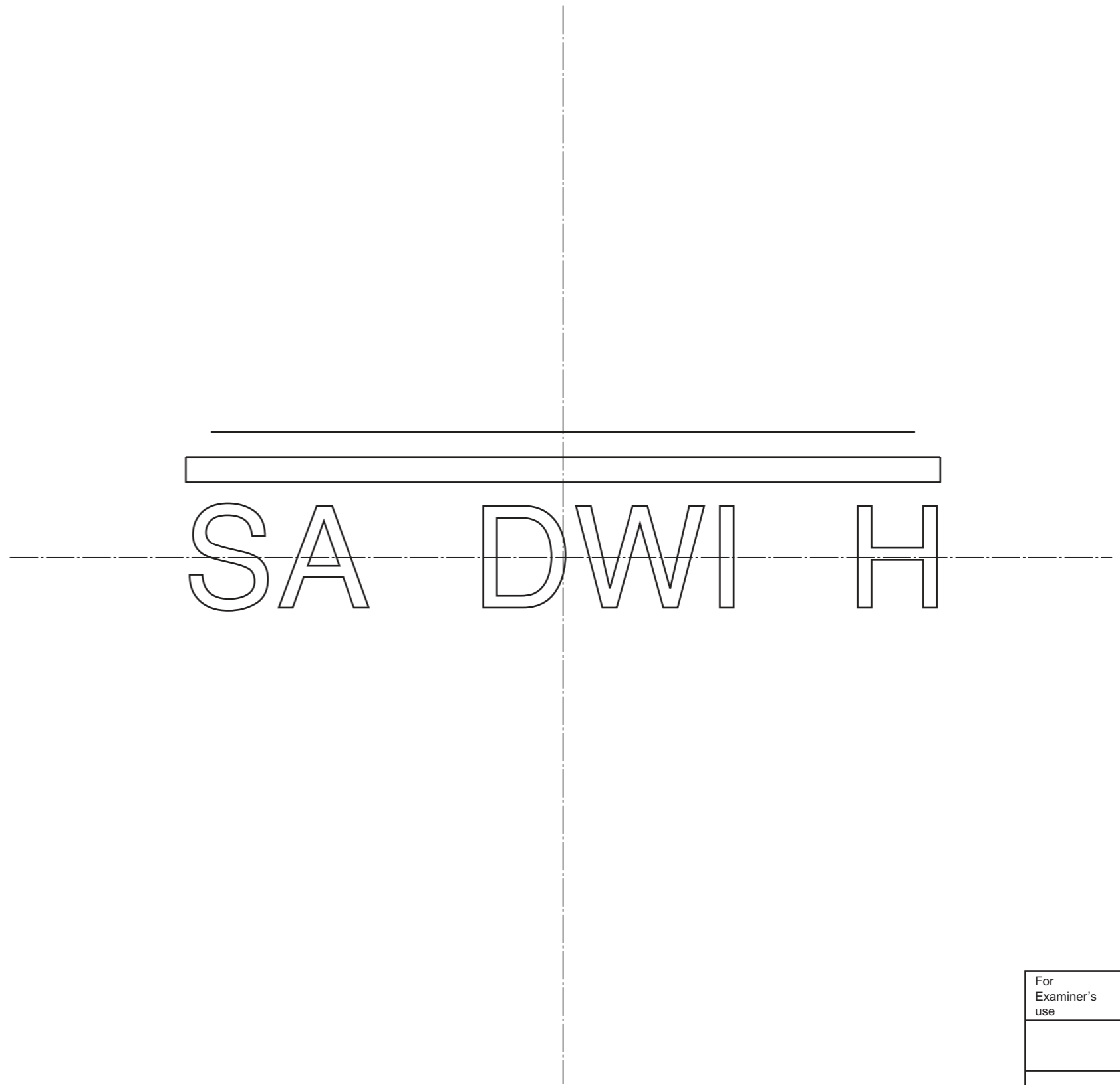
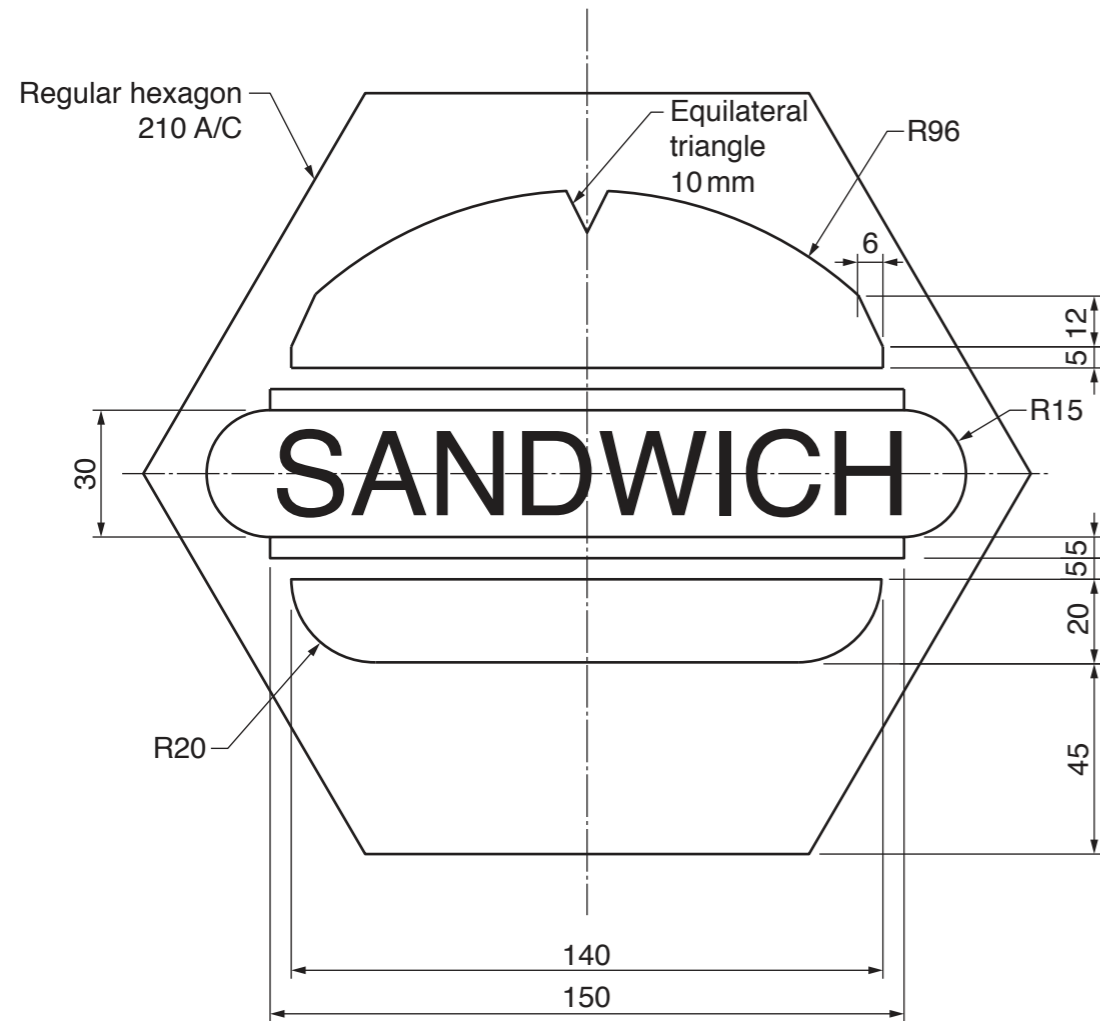


**Section A**

Answer **all** questions in this section.

**A1** A logo for a sandwich shop is shown below.



Complete the full size logo in the space provided to the right by drawing:

- (a) the hexagon shaped border [3]
- (b) the outer bread bun [7]
- (c) the centre fillings [2]
- (d) the missing letters of SANDWICH. [3]

For  
Examiner's  
use

**0445/21** Oct/Nov 2019 **1 hour**  
© UCLES 2019 DC (PQ) 185410

Centre Number .....

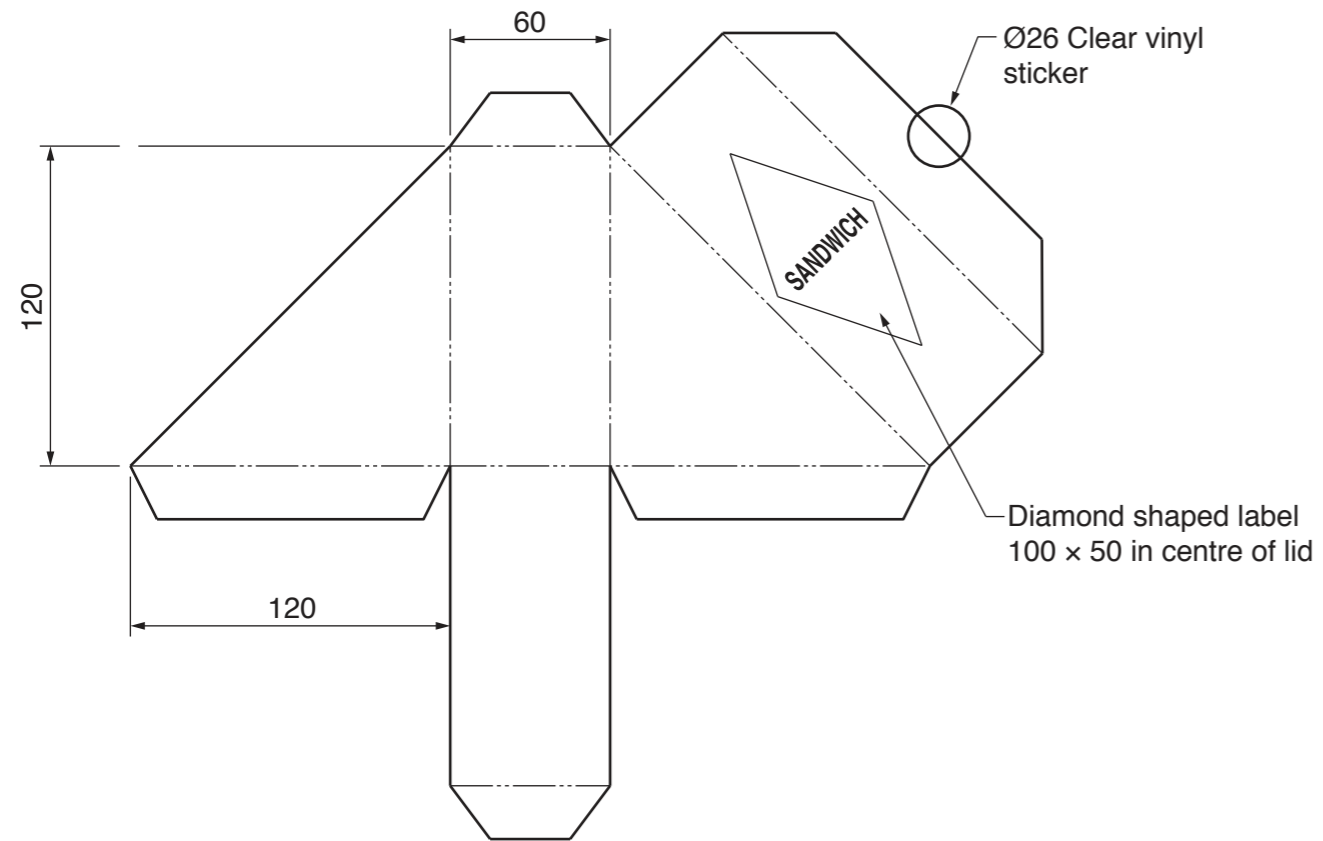
Candidate Number .....

Candidate Surname .....

Other Names .....

**[Turn over]**

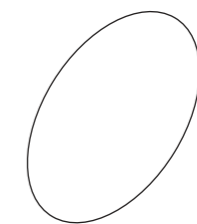
**A2** The development (net) of a sandwich package is shown below.



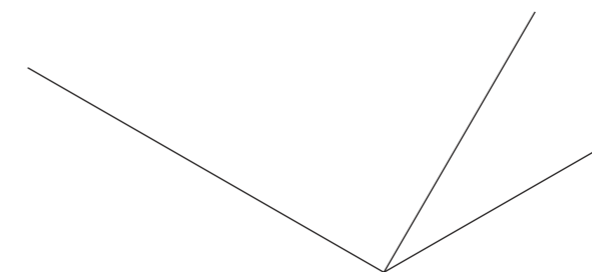
Complete the full size isometric view of the assembled package by drawing:

- (a) the outer shape of the assembled package [3]
- (b) the diamond shaped label [2]
- (c) the large closing flap. [1]

**SANDWICH**



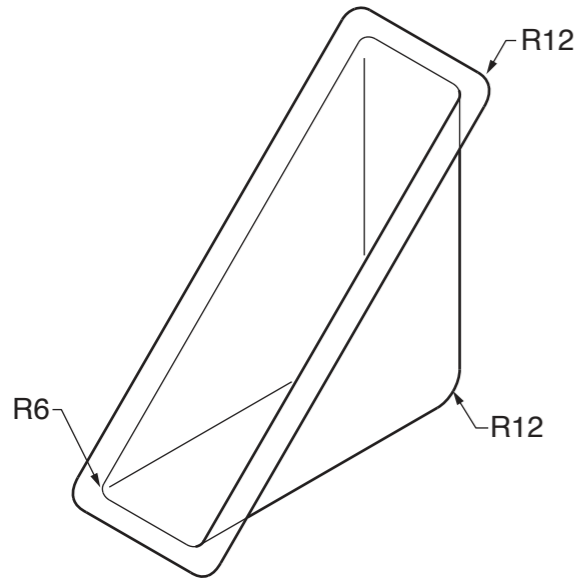
**A3** Use sketches and notes to show a method of keeping the lid closed without the use of a sticker. [4]



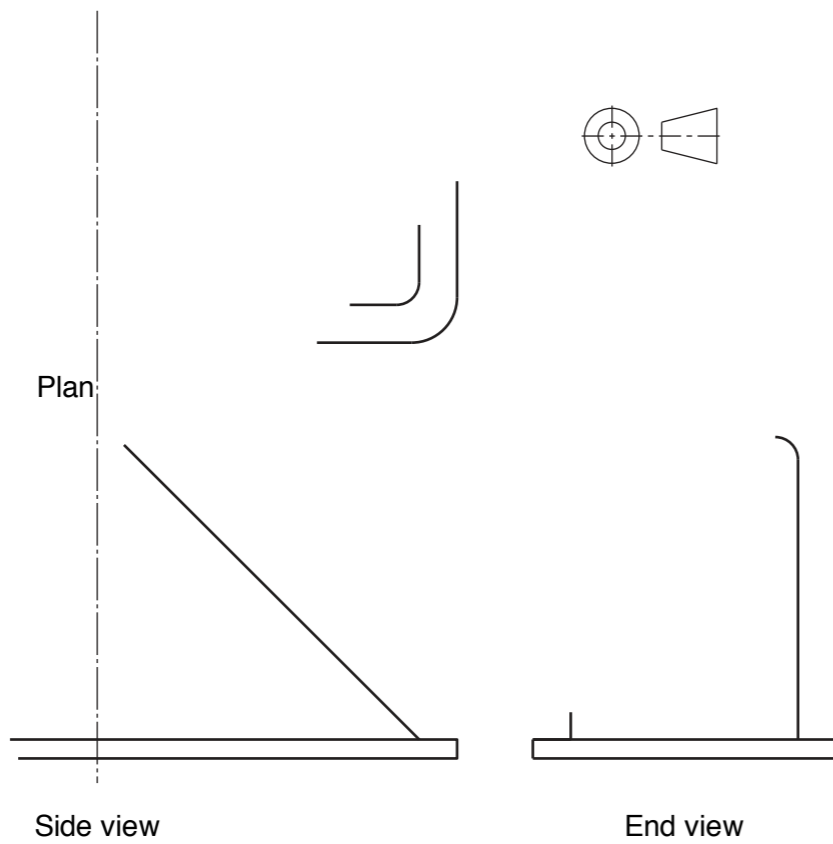
Full size isometric view of the assembled package

**Section B**  
Answer **either** question **B4** or **B5**.

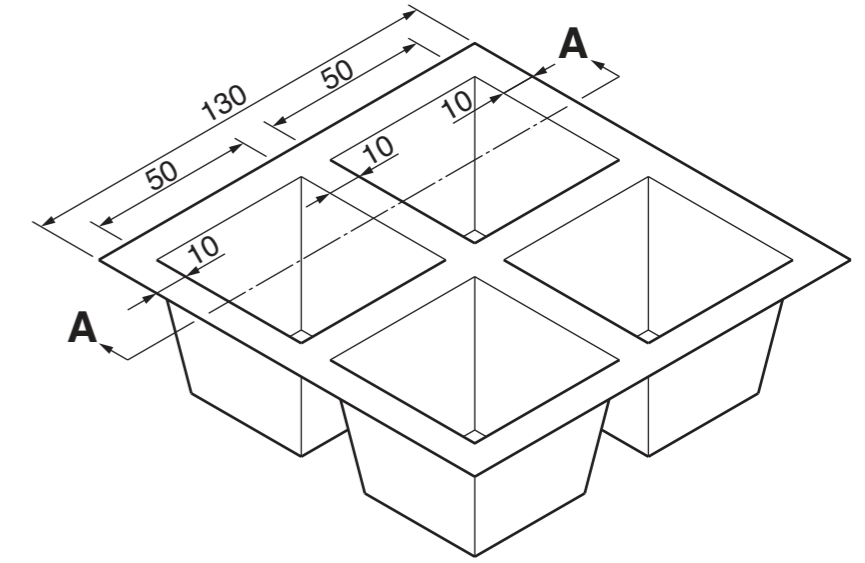
**B4** A different type of sandwich package is shown below.  
The package is vacuum formed from thin clear plastic using a mould.



(a) Complete the half scale orthographic view below of the mould that would be used to make the sandwich package. [9]



(b) A vacuum formed tray for sandwich fillings is shown to the right.  
Each tray is 40mm deep.  
The sides of each tray have a 5° draft angle.  
In the space below, complete the full size sectional view A-A. [10]

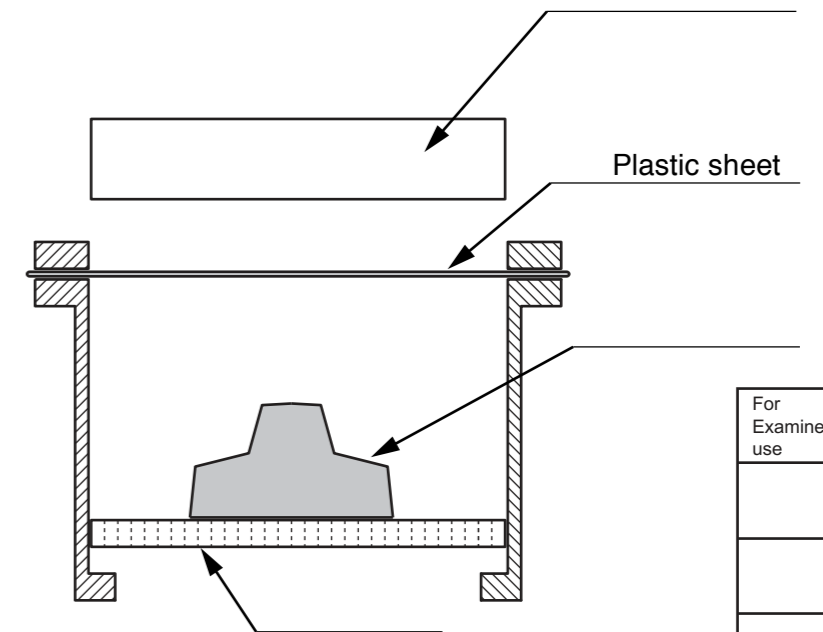


\_\_\_\_\_

Section A–A

(c) The tray is vacuum formed from thin plastic sheet.  
(i) State **one** suitable plastic for the tray. [1]  
.....  
(ii) Explain the purpose of the draft angle on moulds used to make vacuum formed products. [2]  
.....  
.....  
.....  
.....

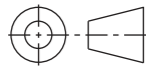
(d) A diagram of a vacuum former is shown below.  
Label the parts arrowed. [3]



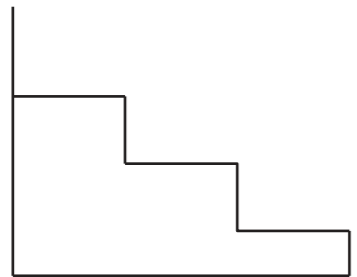
For  
Examiner's  
use

**B5** Orthographic views of a display stand used in the sandwich shop are shown below.

The display stand is made from card.

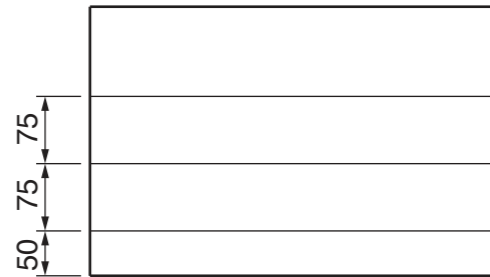


Plan view



Side view

**A**



Front view

**A**

**(b)** The display stand is to be sent to the shop flat packed.

State **one** advantage and **one** disadvantage to the shop owner of the stand being flat packed.

Advantage

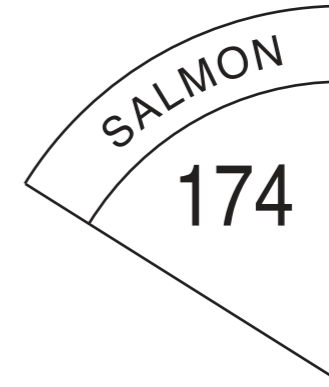
.....  
 ..... [1]

Disadvantage

.....  
 ..... [1]

A table showing the sales of sandwiches in one week is shown below.

Sandwich filling	Number sold
Salmon	174
Beef	90
Tuna	105
Chicken	210
Cheese	144
Salad	231
Other	126
<b>Total</b>	<b>1080</b>



**(c)** Complete the pie chart above to show the number and type of each sandwich sold.

[8]

**(a)** Complete the two point perspective view of the display stand below to a scale of 1:5.

[15]

